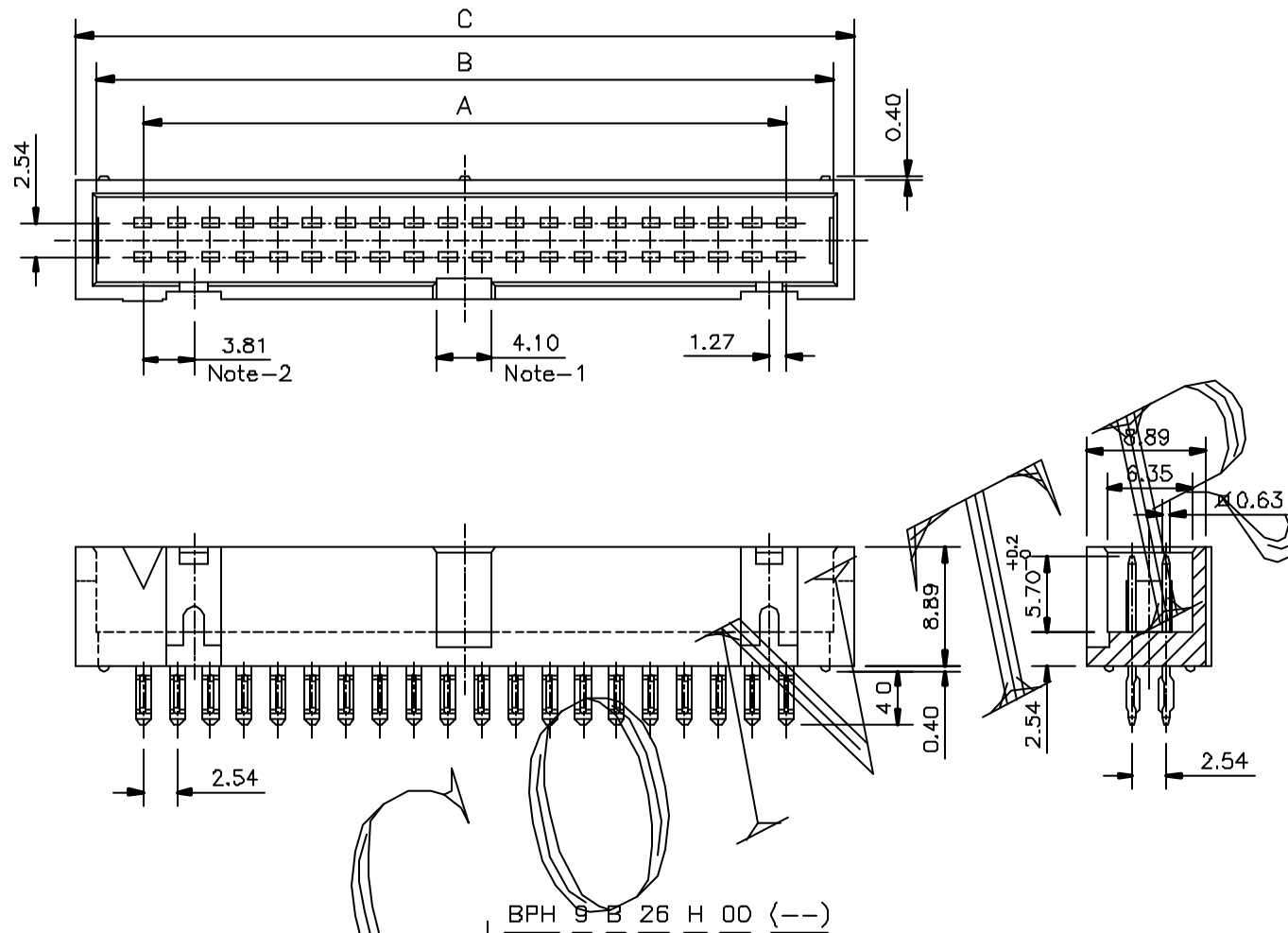


THIS DRAWING IS THE PROPERTY OF FRAMATOME CONNECTORS OEN LTD. IT MUST NOT BE REPRODUCED DISCLOSED TO ANY THIRD PARTIES OR USED FOR MANUFACTURING PURPOSES WITHOUT PERMISSION IN WRITING FROM M/S FRAMATOME CONNECTORS OEN LTD. KOCHI 682 314.



Series

Body variation

- 7- Body using centre polarisation (only for 10P.)
- 9- Body using key & centre polarisation (for pos.14 to 60)

B- 2.54 MM Contact spacing

No. of contacts (10, 14, 16, 20, 26, 34, 40, 50, 60)

Contact Termination

H- Straight pressfit

Standard

Contact plating

- Blank - 0.4µ Selective Gold plating
- GS - Tinlead plating
- N9 - 0.75µ Selective Gold Plating

BPH 9 B 26 H 00 (---)

60	73.66	81.54	83.82
50	60.96	68.84	71.12
44	53.34	61.22	63.50
40	48.26	56.14	58.42
34	40.64	48.52	50.80
26	30.48	38.36	40.64
20	22.86	30.74	33.02
16	17.78	25.66	27.94
14	15.24	23.12	25.40
10	10.16	18.04	20.32
POS.	A	B	C

c	09/12/2000	ORDERING INFORMATION ADDED.		
b	4/11/99	Tolerance specified for dim 5 70	JKA	PSJ
a	16/3/99	First issue	JKA	PSJ
INDEX	DATE	REVISION DESCRIPTION	CHD BY	APPD

TECHNICAL CHARACTERISTICS

- VOLTAGE RATING (50Hz) : 250 Vrms.
- CURRENT RATING : 1.5 A AT 20° C
- DIELECTRIC WITHSTANDING VOLT : 1000 Vrms.
- INSULATION RESISTANCE (500V) : > 1000 MΩ
- OPERATING TEMPERATURE : -55°C TO +125°C
- CONTACT RESISTANCE (MATED SETS) : ≤ 15 mΩ max.
- CONTACT RETENTION : 15 N min.

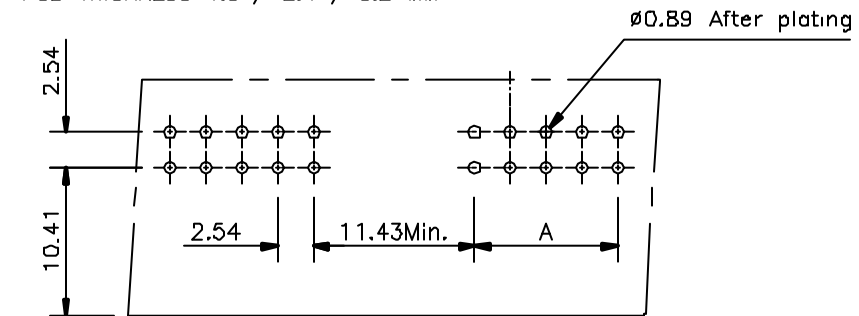
MATERIALS

- HOUSING : GLASS REINFORCED THERMOPLASTIC (UL-94V-0)
- CONTACTS : COPPER ALLOY
- CONTACT FINISH : GOLD OVER NICKEL IN CONTACT AREA.
TIN ALLOY IN COMPLIANT SECTION.
OR TIN ALLOY ALL-OVER

RECOMMENDED PCB HOLE CONFIGURATION

SHOWN FROM COMPONENT SIDE

PCB THICKNESS 1.6 / 2.4 / 3.2 MM



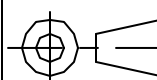
NOTES (7B SERIES) ONLY FOR 10 P

1. THIS SLOT (CENTER POLARISATION) WILL BE THERE .
2. TWO SIDE POLARISATION WILL BE OMITTED

NOTES (9B SERIES) FOR ALL POSITIONS

1. THIS SLOT IS OMITTED ON THE 10 POS. CONNECTOR.
2. INDICATED POLARISATION SLOT NON-EXISTENT ON 10 & 14 POS. CONN.
3. POLARISATION KEYS : 8613-4104 OR 8613-4102

ALL DIMENSIONS ARE IN MM DO NOT SCALE DRAWING GEN TOLERANCE LINEAR ±0.1 ANGULAR ±1°	TITLE	DRN	YMP
	BPH PRESS-FIT BLOCK HEADER	CHD	Jai.K.A
SCALE	MATERIAL	APPD	P.S.Johns
	SEE SPEC	DATE	16/3/99
	REF. BPH 7/9 B	DRG:NO:	C-8613-0029
		SHEET	1 OF 1



FRAMATOME CONNECTORS OEN LTD. INDIA